

WELCOME TO

P&M tools

construction



YOUR PARTNER IN PRECISION
CNC MACHINING AND CUSTOM
METAL SOLUTIONS

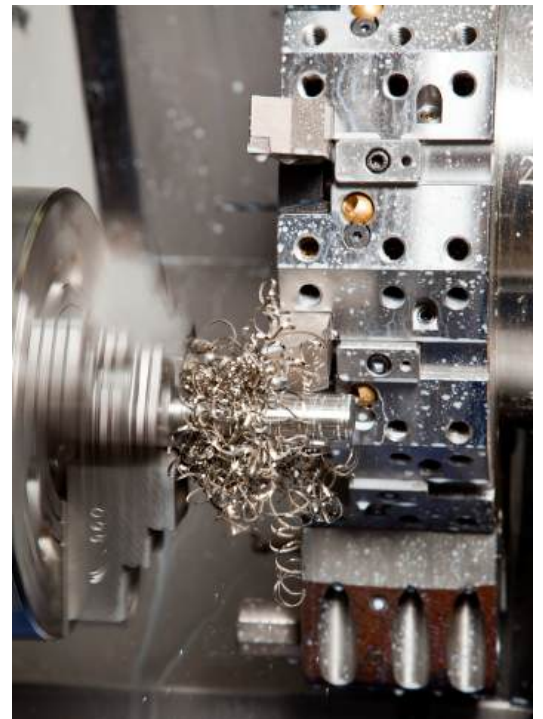
WWW.PIMTOOL.COM | ADDRESS : KRAGUJEVAC, SRBIJA | PHONE +38163628901
E-MAIL: PIMTOOLSCONSTRUCTION@GMAIL.COM



Welcome to PimTool – your trusted partner in precision metal processing. With a commitment to quality and innovation, we specialize in delivering tailored solutions in CNC machining, 3D printing, welding, and custom metal constructions.

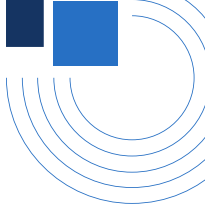
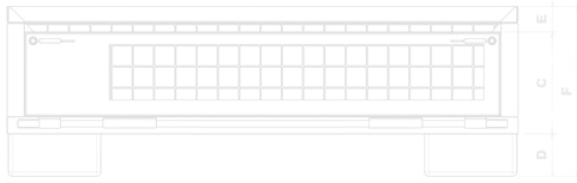
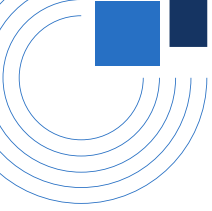
TABLE OF CONTENTS

1	Cover
2	Welcome Message
3	About us
4	Our Service
5-9	Main Projects
9-32	Storage cages models
33	Other Products Gallery
34	Ordering Information
35	Contact



OUR PARTNERS



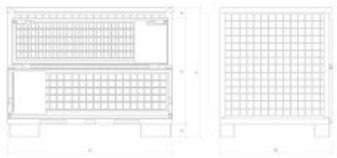


ABOUT US

Over the years of successful operation, our team has managed to understand the needs of the industry and create reliable products that will benefit everyone. With the help of young and educated engineers, all conceptual solutions that the company implements, as well as their production, are still used in various types of production.

The company successfully operates in the Balkans and certain parts of Europe. We are proud to show you our products that we have worked on so far, including 3D construction, machining, cutting, bending, welding and painting of parts.

We also offer a thermal protection service according to all the requirements of your company.



OUR SERVICES



CNC Machining

Our custom CNC metalworking service provides you with the highest precision and efficiency in every step of the process. Our expert team uses state-of-the-art CNC technology and sophisticated tools to ensure exceptional results.



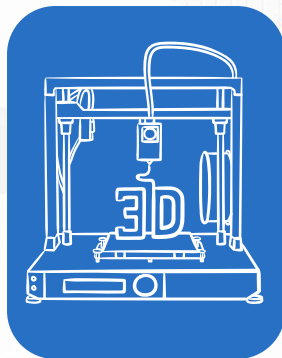
Welding

Our company provides superior metal welding service as our expert team of welders have extensive experience and skill in various welding techniques, including MIG/MAG, TIG and arc welding.



Laser cutting

We use the latest laser machines to cut a variety of metals, including steel, aluminum, brass and copper. This technology allows us to achieve complex and precise cuts with smooth edges.



3D modeling and printing

Our custom 3D modeling and printing service gives you unlimited possibilities to create unique and personalized products. We use the latest 3D modeling and printing technology to ensure a fast and accurate service, while respecting agreed deadlines.

REFERENCE PROJECTS



P&M tools
construction

At PimTool, we believe that the best proof of our capabilities lies in the work we've already delivered. This section highlights selected projects completed for clients across logistics, construction, and manufacturing sectors.

Each project reflects our commitment to precision, durability, and custom-built solutions — whether it's a welded steel structure, CNC-machined component, or a fully assembled modular container unit.

Browse through our gallery to see the quality of our workmanship and the wide range of applications we support. These real-world examples demonstrate our ability to meet strict specifications, tight deadlines, and high performance standards.

MAIN PROJECTS

At PimTool, we bring engineering precision and manufacturing expertise to every project we undertake. Whether it's CNC-machined components, welded structures, or custom industrial solutions, our team delivers with a focus on quality, durability, and on-time execution. Below is a selection of recent projects that highlight our capabilities across different industries.

Heavy-Duty Wire Mesh Storage Cages

Client: Logistics & Distribution Center, Serbia

Industry: Warehousing / Logistics

Year: 2024

Scope:

- Design and fabrication of stackable wire mesh cages (1500 kg capacity)
- CNC-cut and MIG-welded steel structure with powder-coated finish
- Non-collapsible sides for increased load stability
- Integration with forklift handling system

CNC-Machined Brackets for Automation Line

Client: Automotive Supplier, Kragujevac

Industry: Automotive / Manufacturing

Year: 2023

Scope:

- CNC machining of 250+ precision steel brackets (± 0.05 mm tolerance)
- Design review and optimization based on 3D models provided by client
- Surface finishing (zinc coating) for corrosion resistance

Modular Worker Container Units

Client: Construction Company, Central Europe

Industry: Civil Engineering / Site Logistics

Year: 2023

Scope:

- Fabrication of insulated modular steel container units (mobile offices and changing rooms)
- TIG welding of frame structure and sandwich panel integration
- Custom interior layout based on project specifications



CUSTOM WORKERS & STORAGE CONTAINERS

Our worker containers are built to order — meaning you get exactly what your site or team needs. Choose from multiple sizes, insulation types, floor plans, and features like electrical wiring, sanitary areas, or windows.

. These containers are ideal for a variety of environments, offering a versatile solution for housing and workspace needs.

- Design and Engineering:
- Custom Solutions: Our engineering team works closely with clients to design containers that meet specific requirements, whether for living quarters, office space, or storage.
- Advanced Modeling: Utilizing advanced 3D modeling software, we create precise designs that maximize space and functionality.
- Material Selection:
- High-Quality Steel: We use high-grade steel to ensure the containers are robust and can withstand harsh conditions.
- Insulation Materials: For climate control, we incorporate top-quality insulation materials that provide excellent thermal and sound insulation.





How It Works – Custom Worker Containers

At PimTool, our worker containers are fully made to order — designed and built according to your specific project requirements.

1. Initial Consultation

Share your requirements — intended use, preferred dimensions, insulation needs, interior features (windows, doors, power supply, etc.), and any special requests.

2. Design & Customization

Our team creates a tailored layout and technical drawings. We offer guidance on material selection, ventilation, insulation, and mobility options to suit your environment.

3. Quotation & Timeline

Once specifications are confirmed, we provide a detailed offer.

4. Fabrication & Quality Control

The container is built in-house using high-grade steel, precise welding, and modern fabrication methods.

5. Delivery & Setup

We arrange transportation to your location. Units arrive ready for immediate deployment with minimal site preparation required.

- ✓ Built for rugged conditions
- ✓ Fully customizable layout and features
- ✓ Fast production and reliable delivery

HEAVY-DUTY WIRE MESH STORAGE CAGES

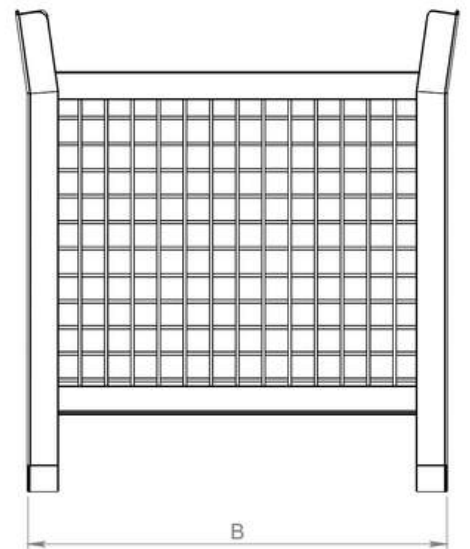
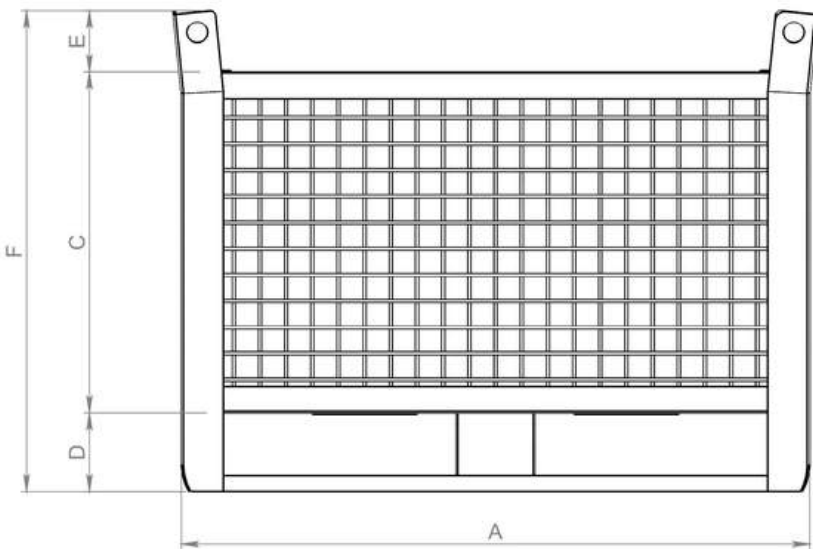
Designed for industrial performance, our heavy-duty wire mesh storage cages offer secure, durable, and high-capacity solutions for material handling and storage. Engineered with reinforced steel frames and non-collapsible sides, these units are ideal for warehouses, manufacturing plants, and logistics centers that demand strength and efficiency.

With a load capacity of up to 1500 kg and forklift-friendly design, our cages are built to withstand heavy use and ensure safe, space-optimized storage. Available in multiple dimensions and configurations, they can be tailored to your workflow needs.



STORAGE CAGES

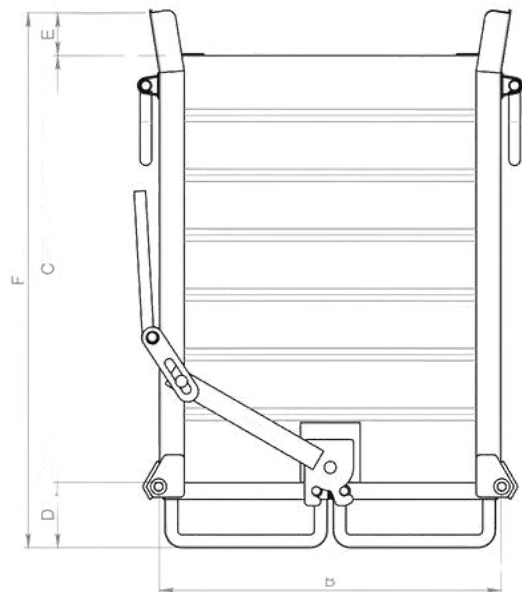
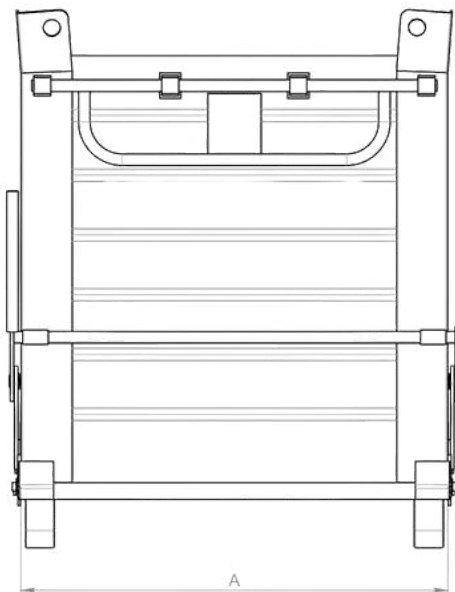
MODEL 1



ART.	A	B	C	D	E	F	Capacity (kg)
SRP5300	1000	800	650	150	80	880	1500
SRP5400	1200	800	650	150	117	917	1500
SRP5500	1200	1000	650	150	117	917	1500
SRP5600	1500	800	650	150	80	880	1500

STORAGE CAGES

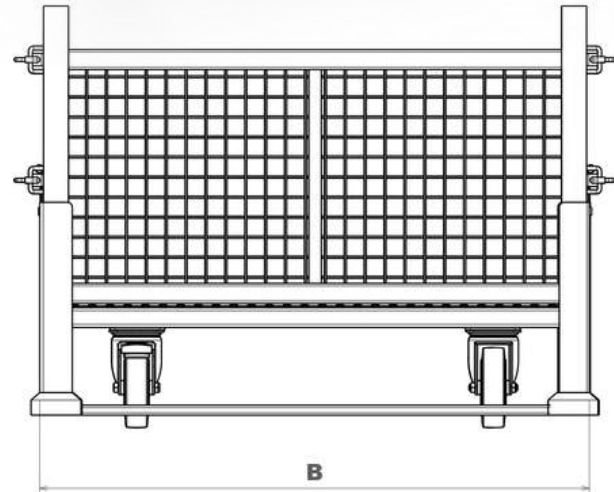
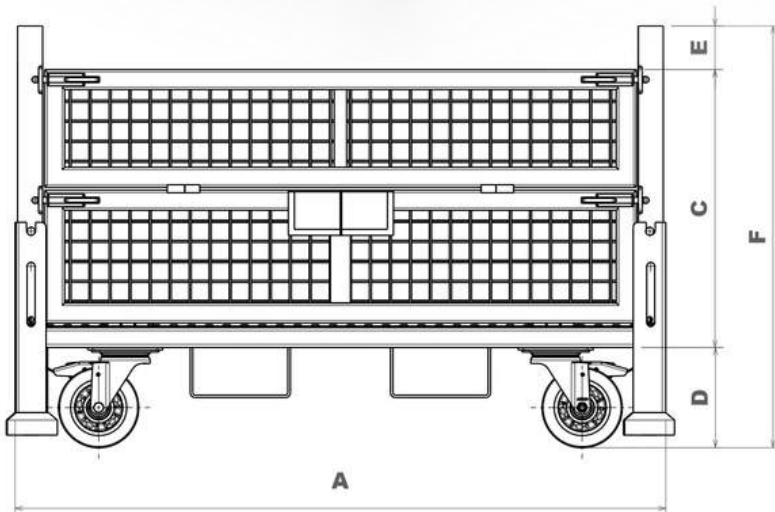
MODEL 2



ART.	TO	B	C	D	AND	F	Scope
SCFAD0100	1083	885	649	153	102	904	520 liters / 2000 kg
SCFAD0200	1062	877	1000	153	100	1253	800 liters / 2000 kg
SCFAD0300	1062	877	1300	153	110	1560	1040 liters / 2000 kg
SCFAD0400	1566	1136	1000	157	107	1264	1200 liters / kg 2000
SCFAD0600	2066	1147	1000	153	100	1253	2000 liters / 2000 kg

STORAGE CAGES

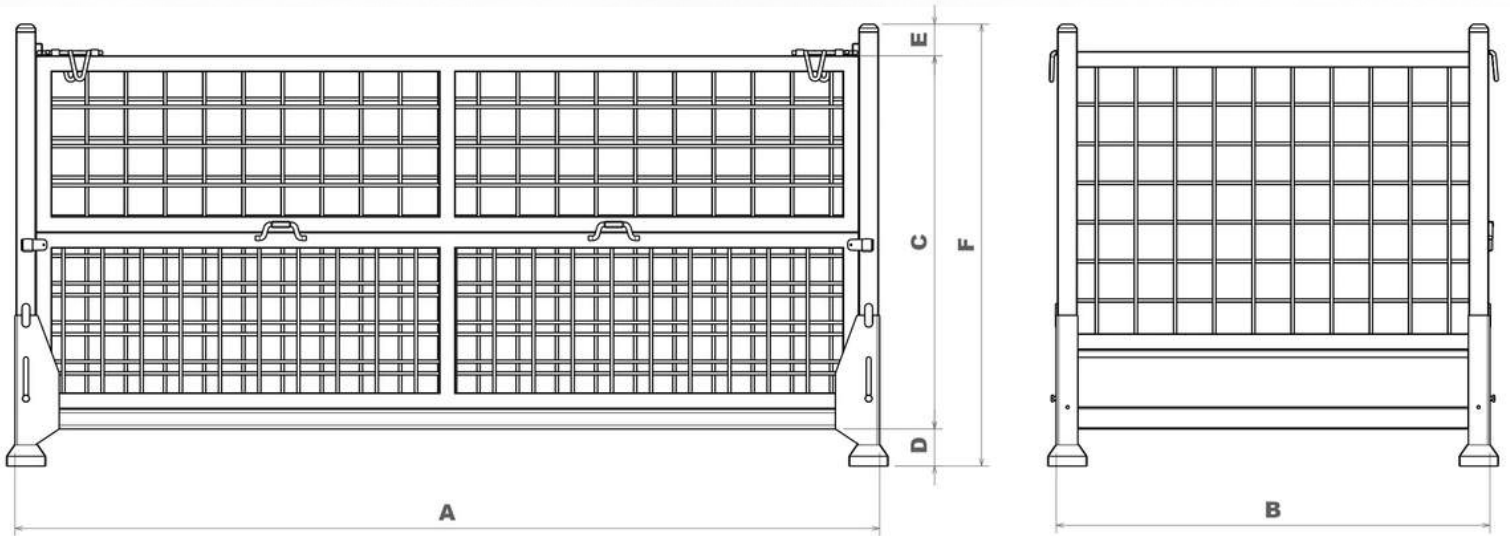
MODEL 3



ART.	TO	B	C	D	AND	F	Capacity (kg)
SRA6000	1000	800	520	150	86	756	1000
SRA6200	1200	800	650	150	106	906	1000
SRAP6600	1000	800	520	150	86	756	1500
SRAP6700	1200	800	650	150	106	906	1500
SRAP6800	1200	1000	650	150	110	910	1500

STORAGE CAGES

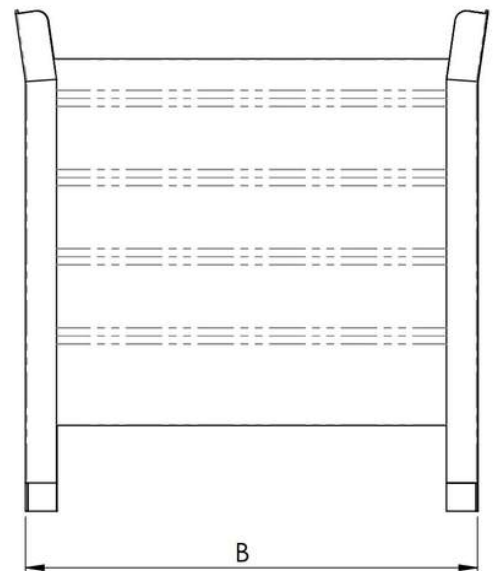
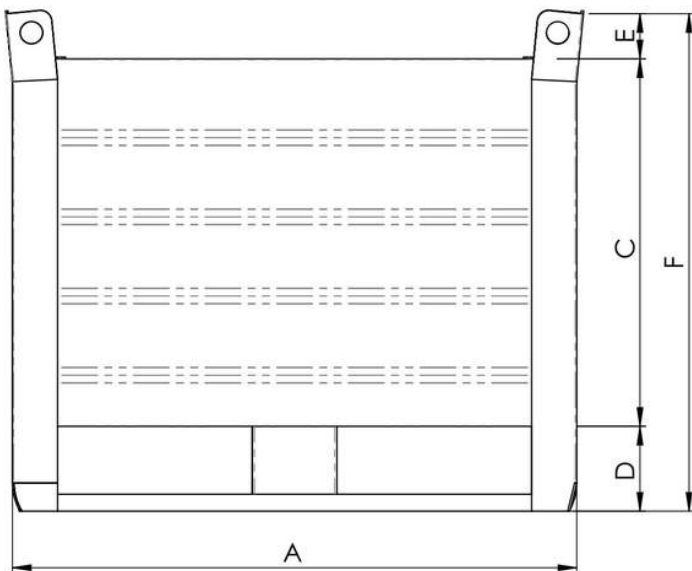
MODEL 4



ART.	A	B	C	D	E	F	Capacity (kg)
SRA6000	2000	1000	1000	100	80	1180	1000
SRA6200	2400	1200	1000	100	100	1200	1000

STORAGE CAGES

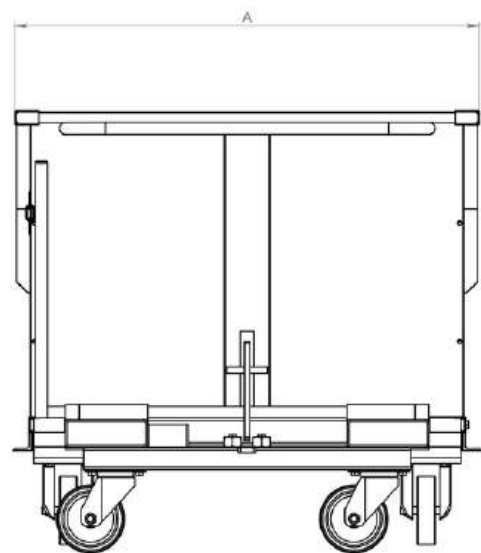
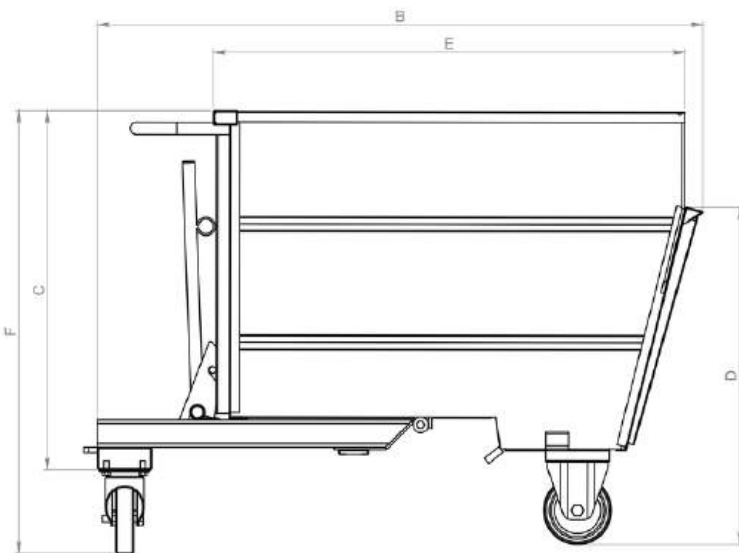
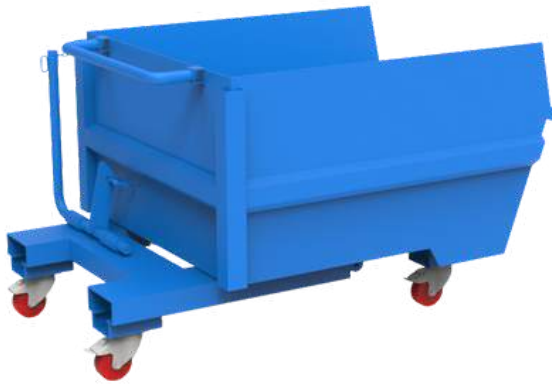
MODEL 5



ART.	TO	B	C	D	AND	F	Capacity (kg)
SLM0600	1000	800	400	150	85	635	1000
SLM0800	1000	800	650	150	80	880	1000
SLM0900	1200	800	650	150	80	880	1000
SLM1000	1200	1000	650	150	86	886	1000

STORAGE CAGES

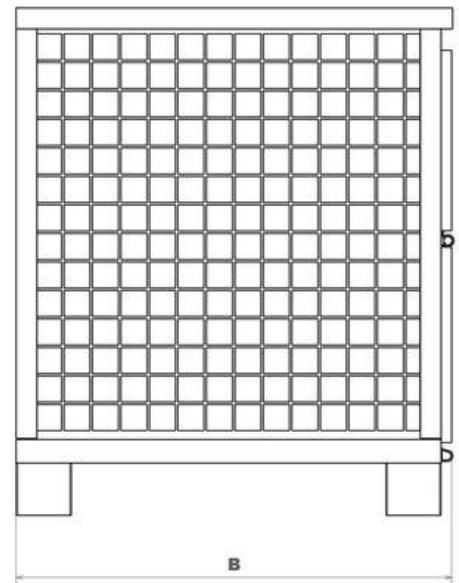
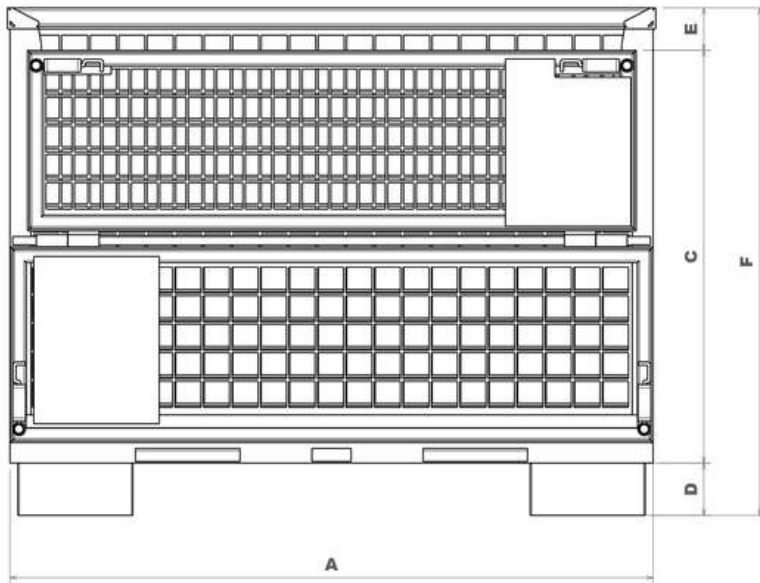
MODEL 6



ART.	A	B	C	D	E	F	G	Capacità (Lt)	Portata statica (kg)
SBR300	831	1351	731	544	1037	928	197	300	600
SBR500	927	1334	712	627	1038	908	197	500	1000
SBR750	1022	1333	775	741	1039	972	197	750	1350
SBR1000	1022	1529	959	843	1289	1156	197	1000	1700
SBR1600	1532	1529	959	843	1289	1156	197	1600	2000

STORAGE CAGES

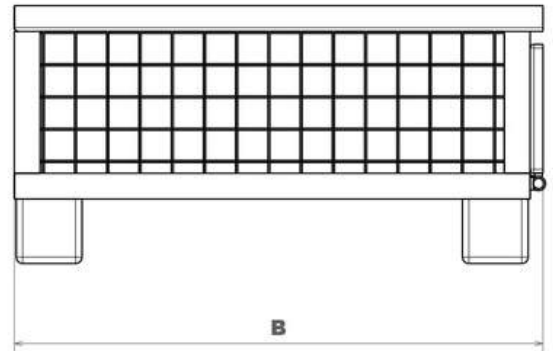
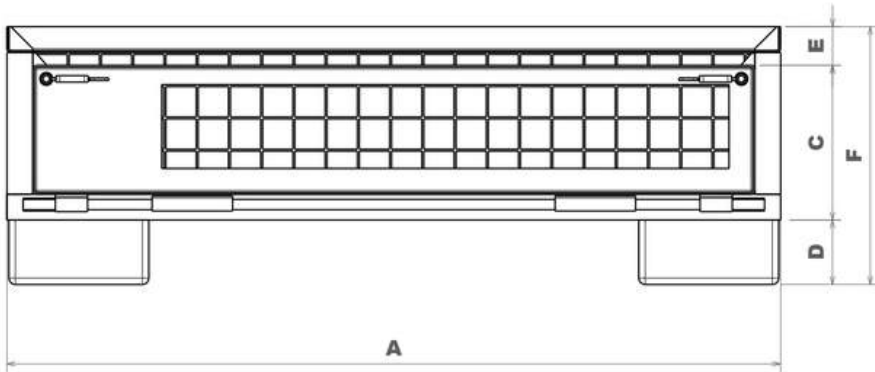
MODEL 7



ART.	A	B	C	D	E	F	Capacity (kg)
SRP5300	1000	800	650	150	80	880	1500
SRP5400	1200	800	650	150	117	917	1500
SRP5500	1200	1000	650	150	117	917	1500
SRP5600	1500	800	650	150	80	880	1500

STORAGE CAGES

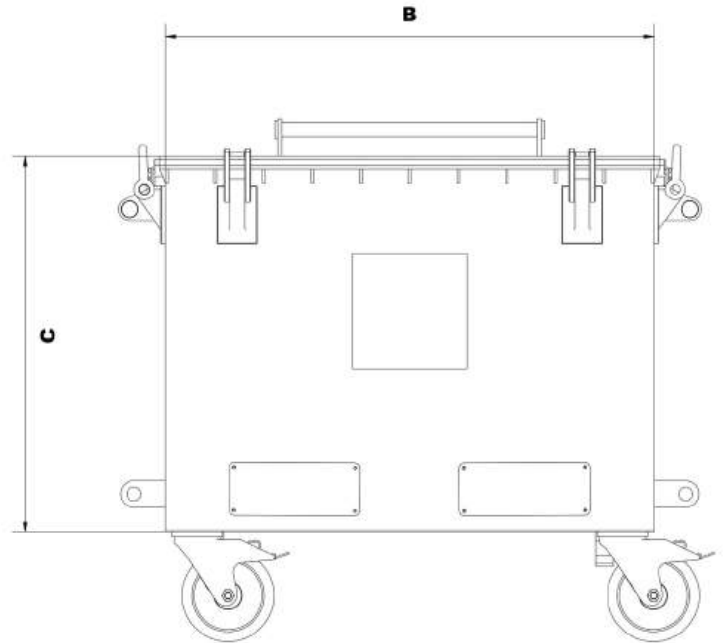
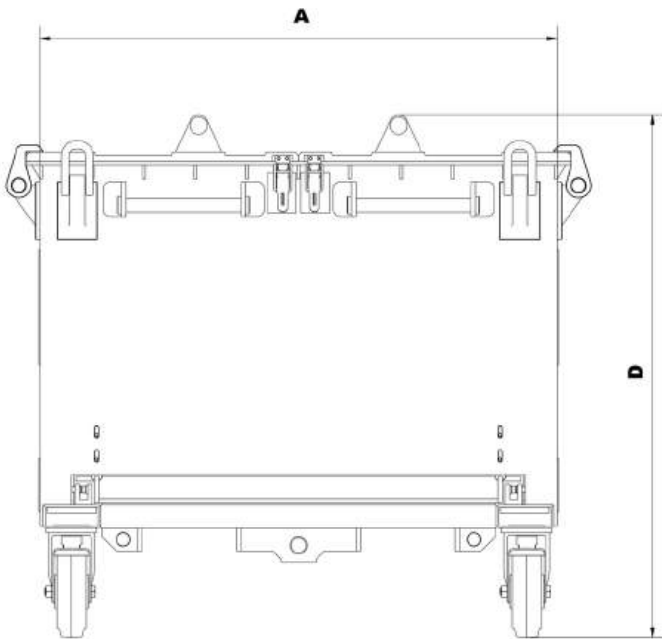
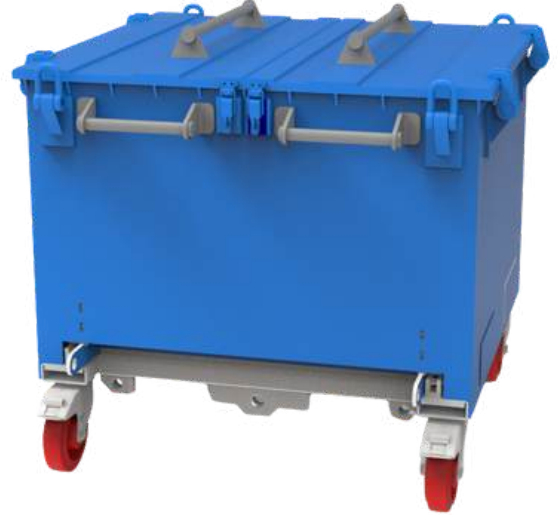
MODEL 8



ART.	A	B	C	D	E	F	Capacity (kg)
SRP5300	1000	800	250	100	50	400	1500
SRP5400	1200	800	350	100	50	500	1500
SRP5500	1200	1000	250	100	50	400	1500
SRP5600	1500	800	350	100	50	500	1500

STORAGE CAGES

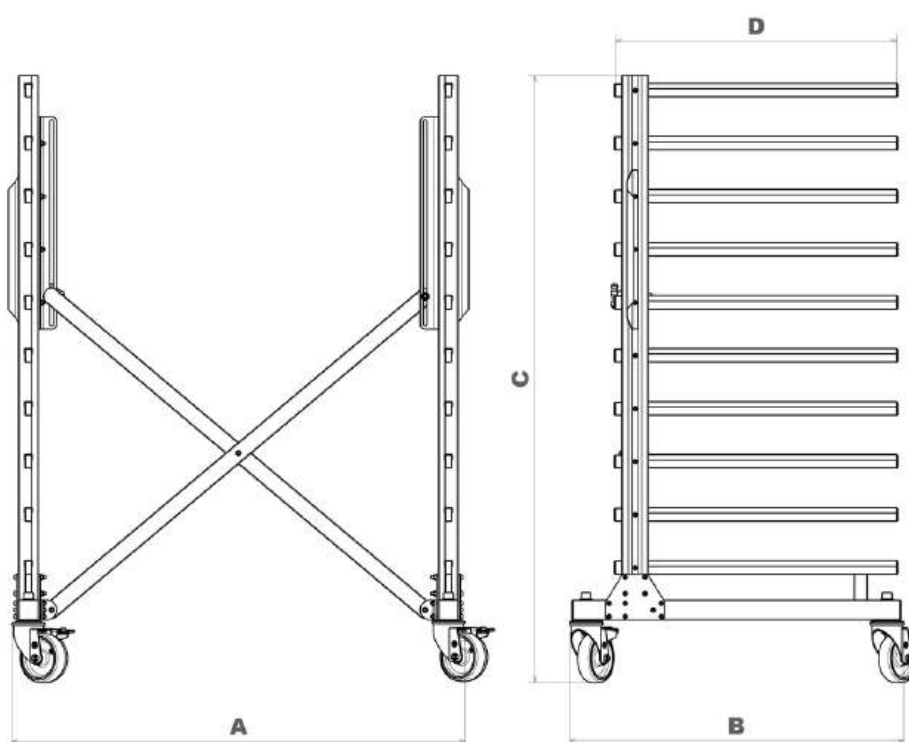
MODEL 9



ART.	A	B	C	D	Capacity (kg)
CRT 0909	900	900	650	950	500
CRT 1010	1000	1000	700	1000	500
CRT 1212	1200	1200	700	1000	500

STORAGE CAGES

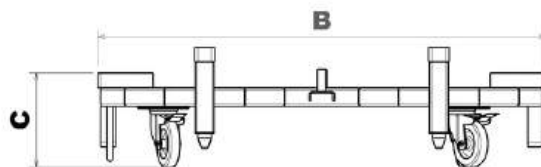
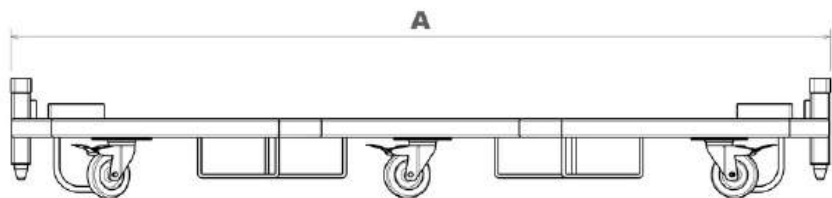
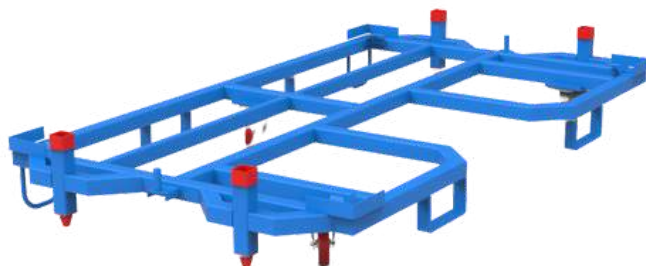
MODEL 10



ART.	A	B	C	D	Capacity (kg)
CRT1410	1400	1000	1850	850	500
CRT1412	1400	1200	1850	1000	500
CRT1210	1200	1000	1850	850	500

STORAGE CAGES

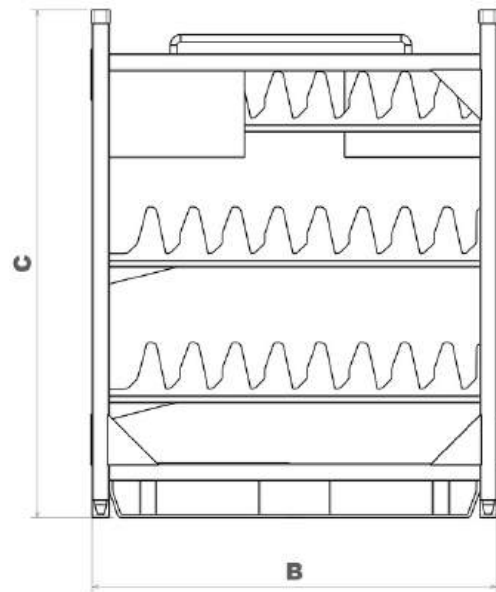
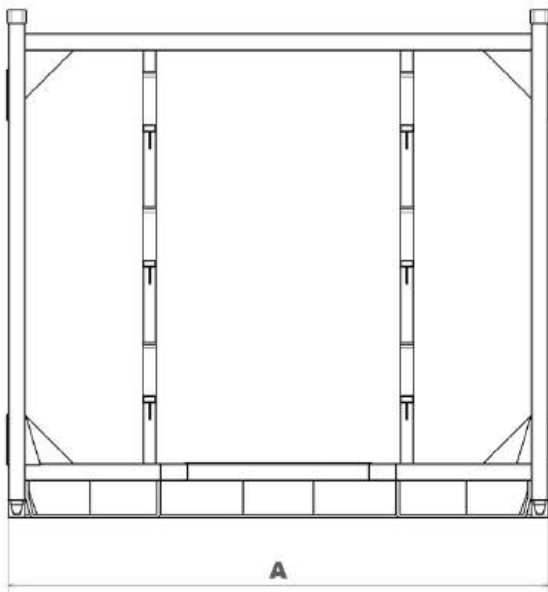
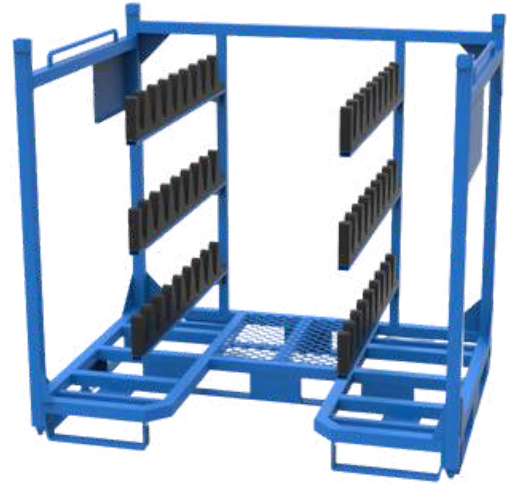
MODEL 11



ART.	A	B	C	Capacity (kg)
TRLY 2412	2400	1200	250	1000
TRLY 2212	2200	1200	250	1000
TRLY 2210	2200	1000	250	1000

STORAGE CAGES

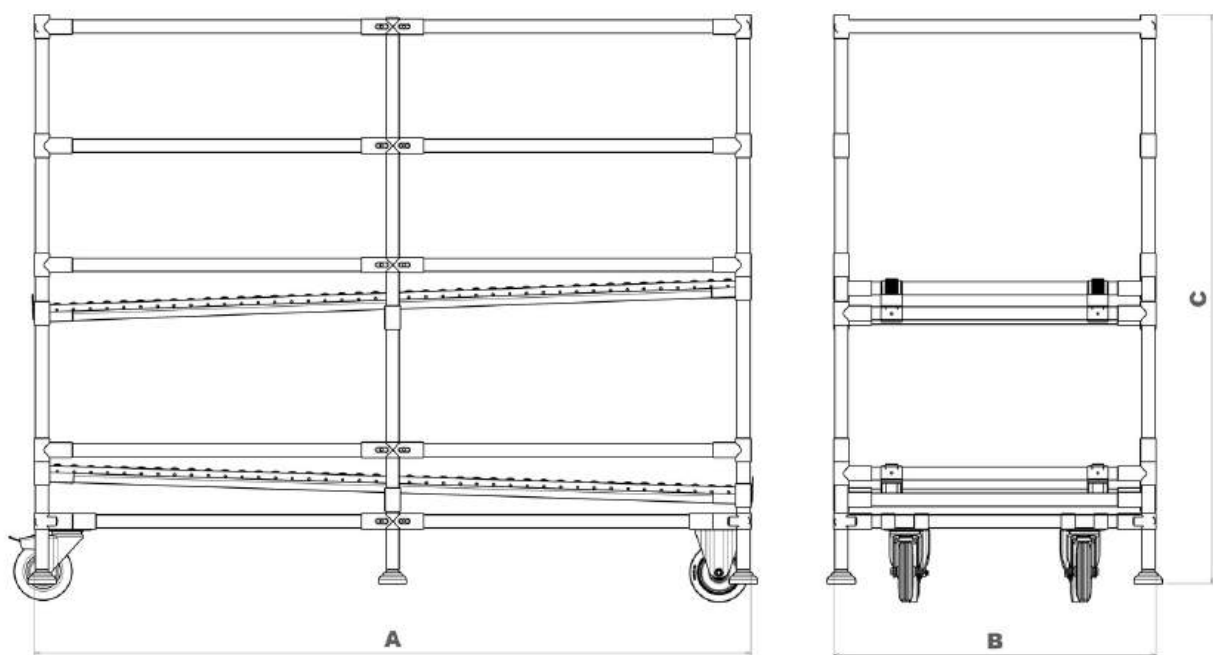
MODEL 12



ART.	A	B	C	Capacity (kg)
RAC 1612	1600	1200	1500	1500
RAC 1814	1800	1400	1500	1500
RAC 2015	2000	1500	2000	1500

STORAGE CAGES

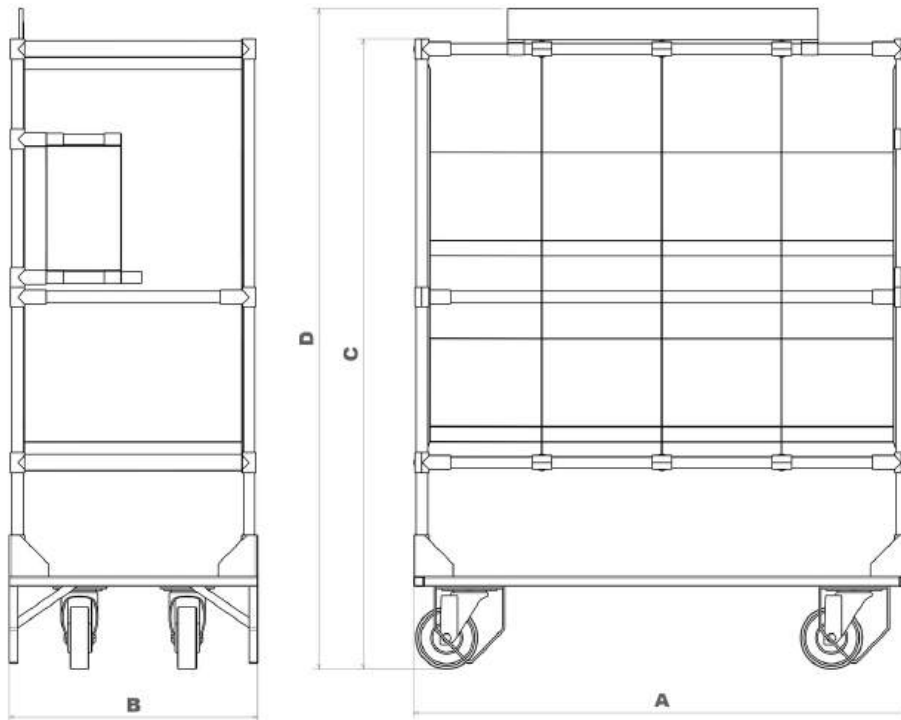
MODEL 13



ART.	A	B	C	Capacity (kg)
LEAN 1607	1500	750	1200	350
LEAN 1809	1800	900	1400	350
LEAN 2010	2000	1000	1600	350

STORAGE CAGES

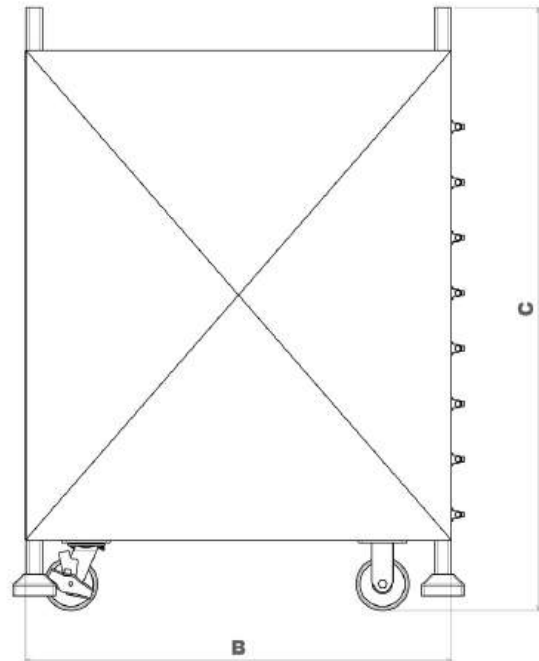
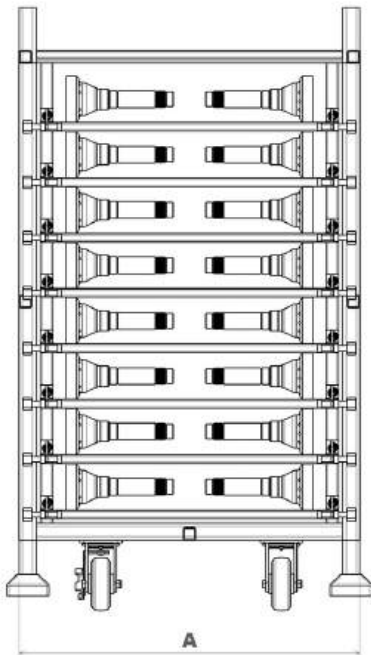
MODEL 14



ART.	A	B	C	Capacity (kg)
LEAN 1206	1200	600	1600	400
LEAN 1407	1400	700	1600	400
LEAN 1608	1600	800	1600	400

STORAGE CAGES

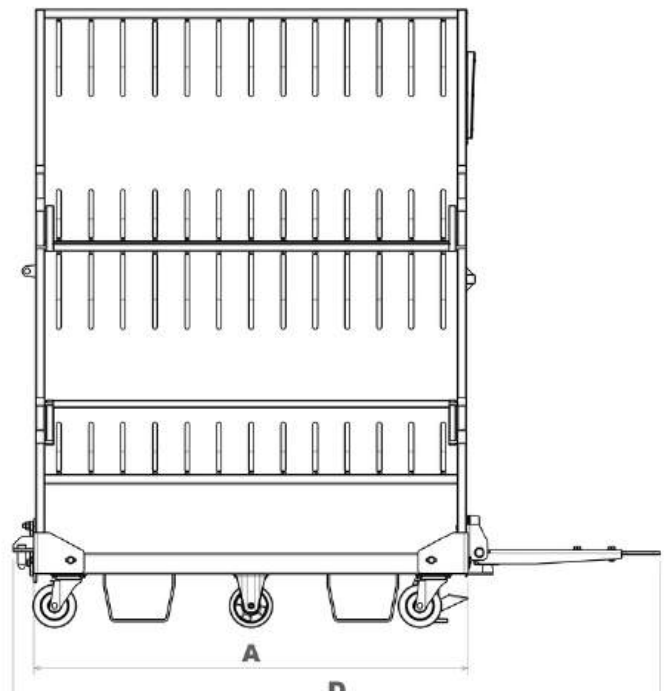
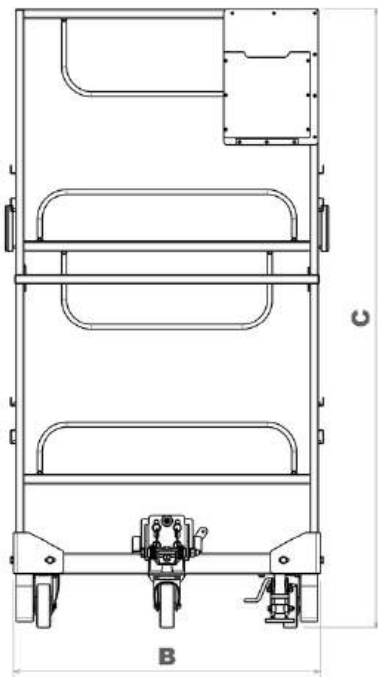
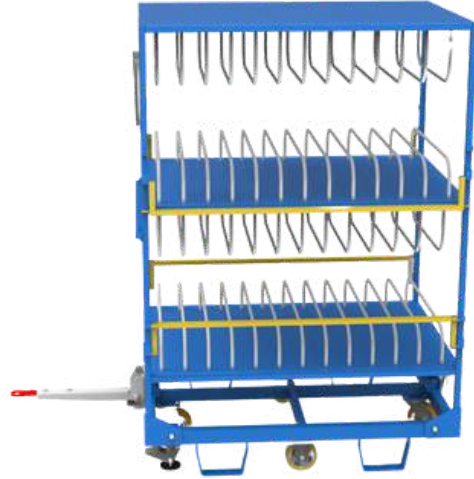
MODEL 15



ART.	A	B	C	Capacity (kg)
BOX 1008	1000	800	1400	1500
BOX 1210	1200	1000	1400	1500
BOX 1410	1400	1000	1400	1500

STORAGE CAGES

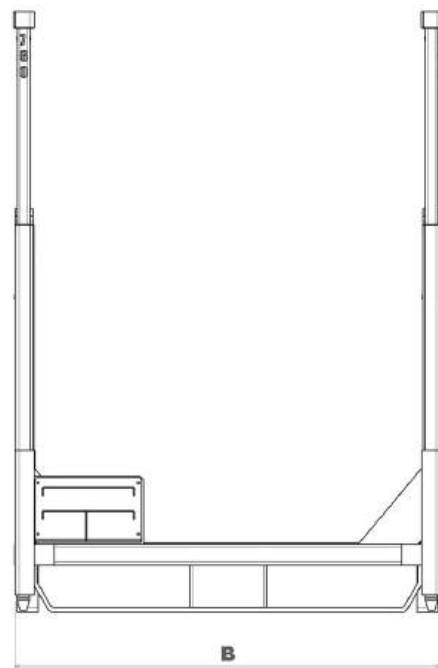
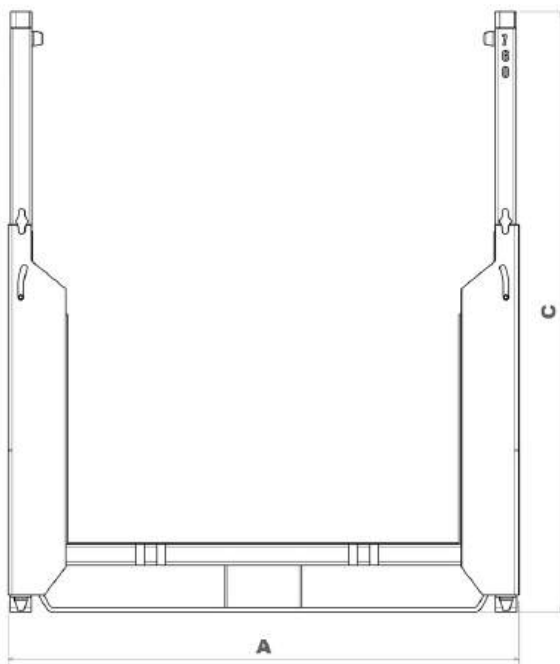
MODEL 16



ART.	A	B	C	Capacity (kg)
TRLY 1206	1300	900	1800	600
TRLY 1407	1400	1000	1800	600
TRLY 1608	1500	1100	1800	600

STORAGE CAGES

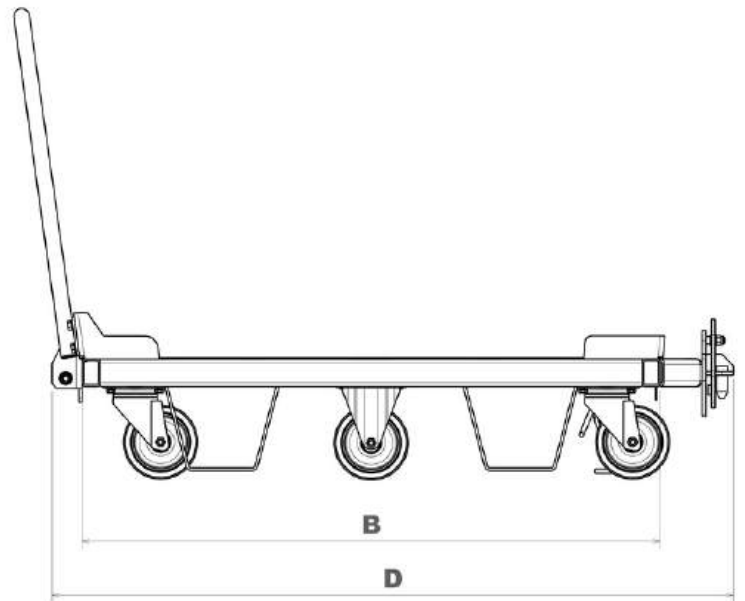
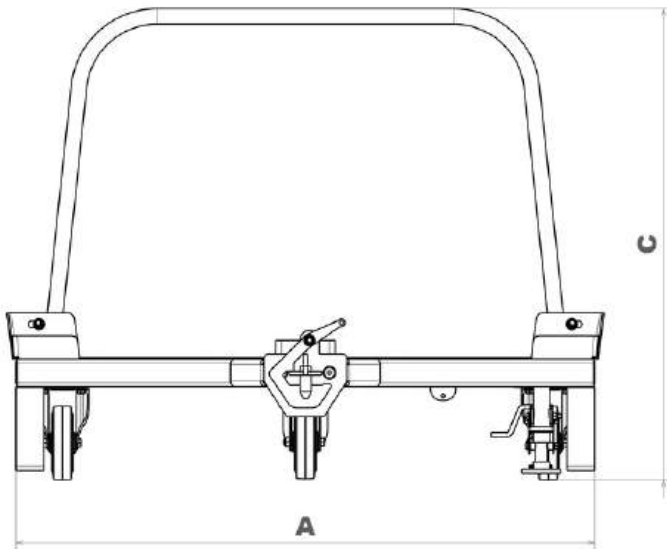
MODEL 17



ART.	A	B	C	Capacity (kg)
CNT 1210	1200	1000	1400	1500
CNT 1212	1200	1200	1400	1500
CNT 1414	1400	1400	1400	1500

STORAGE CAGES

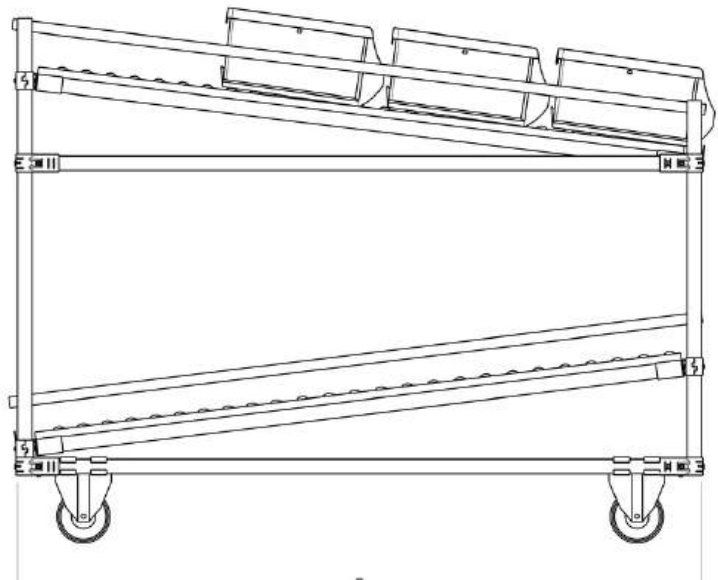
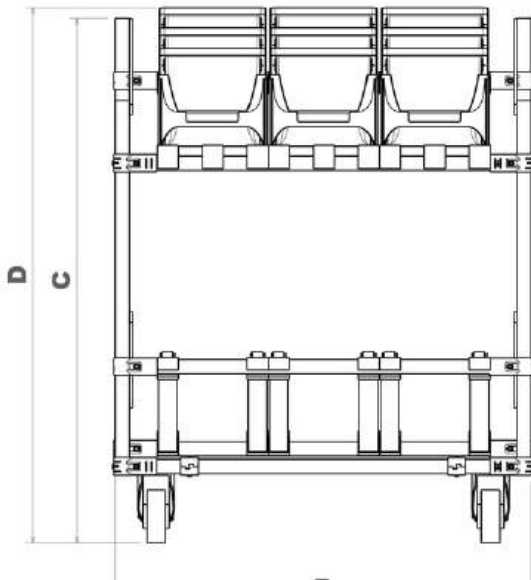
MODEL 18



ART.	A	B	C	Capacity (kg)
CRT 1212	1250	1250	1000	650
CNT 1010	1000	1000	1000	650
CNT 1410	1400	1000	1000	650

STORAGE CAGES

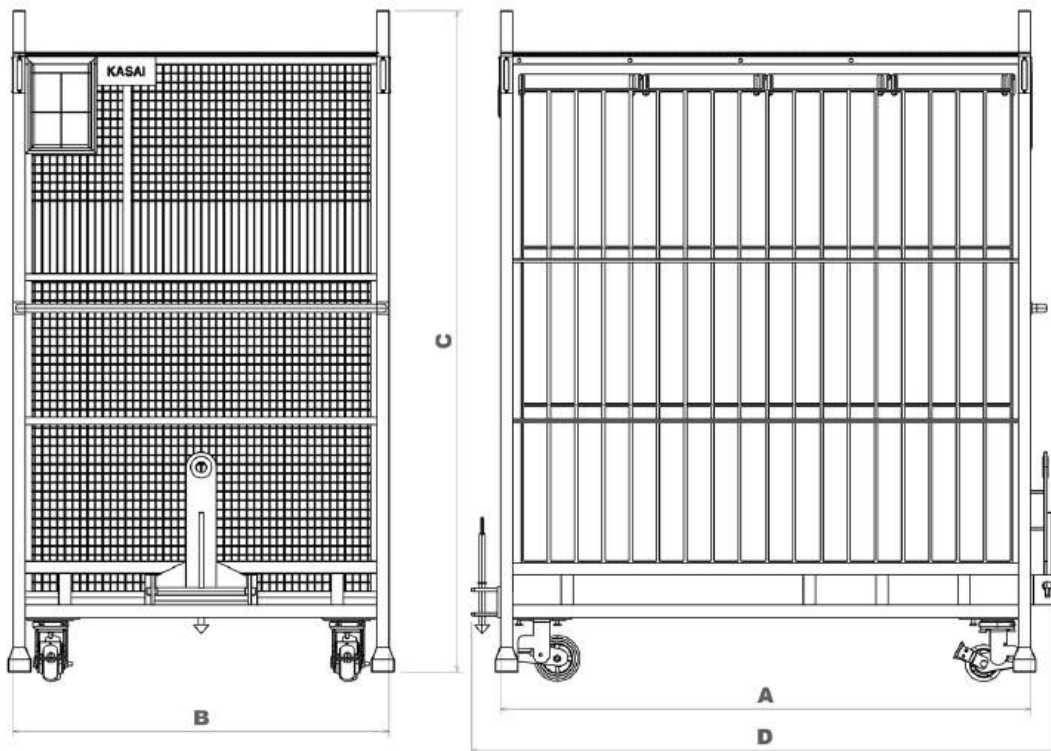
MODEL 19



ART.	A	B	C	Capacity (kg)
LEAN 1007	1100	700	1000	400
LEAN 1308	1300	800	1000	400
LEAN 1509	1500	900	1200	400

STORAGE CAGES

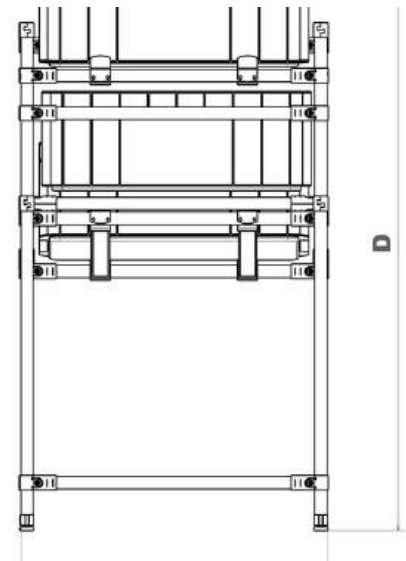
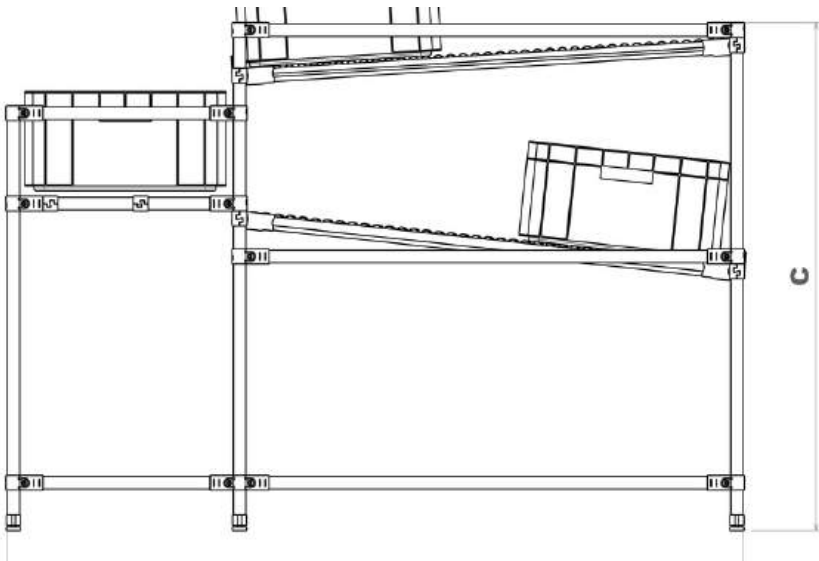
MODEL 20



ART.	A	B	C	Capacity (kg)
TRLY 1512	1500	1200	2200	1500
TRLY 1712	1750	1250	2200	1500
TRLY 2012	2000	1250	2200	1500

STORAGE CAGES

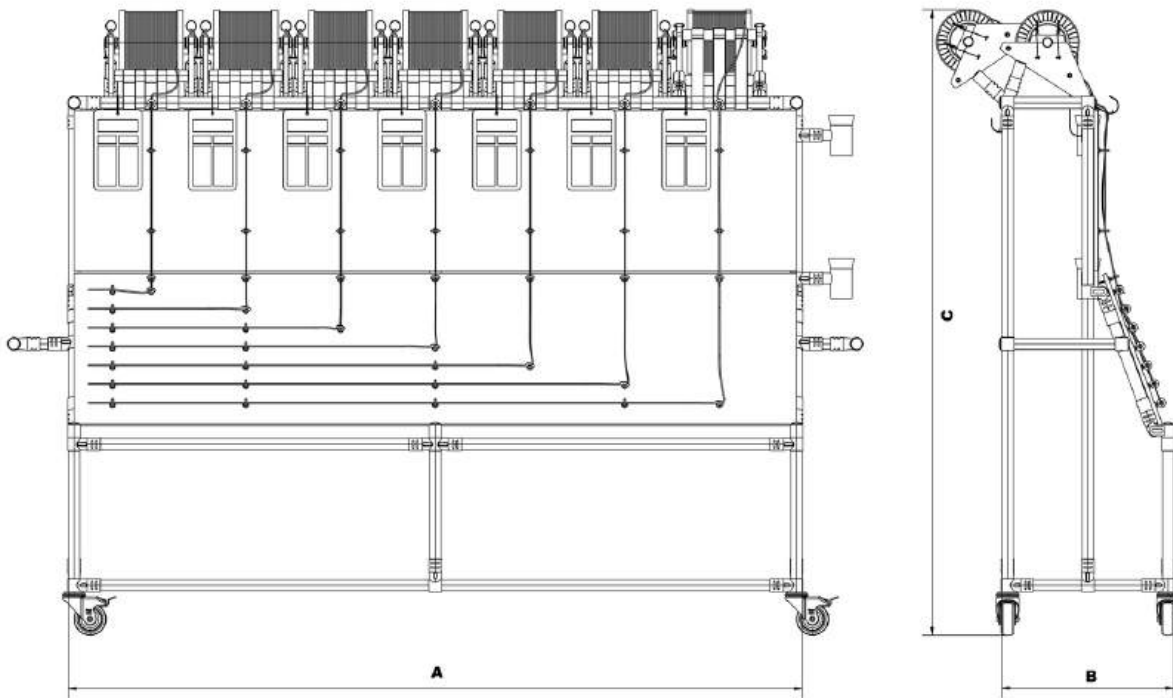
MODEL 21



ART.	A	B	C	B	Capacity (kg)
LEAN 1607	1600	700	1300	300	
LEAN 1809	1800	900	1500	300	
LEAN 2010	2000	1000	1500	300	

STORAGE CAGES

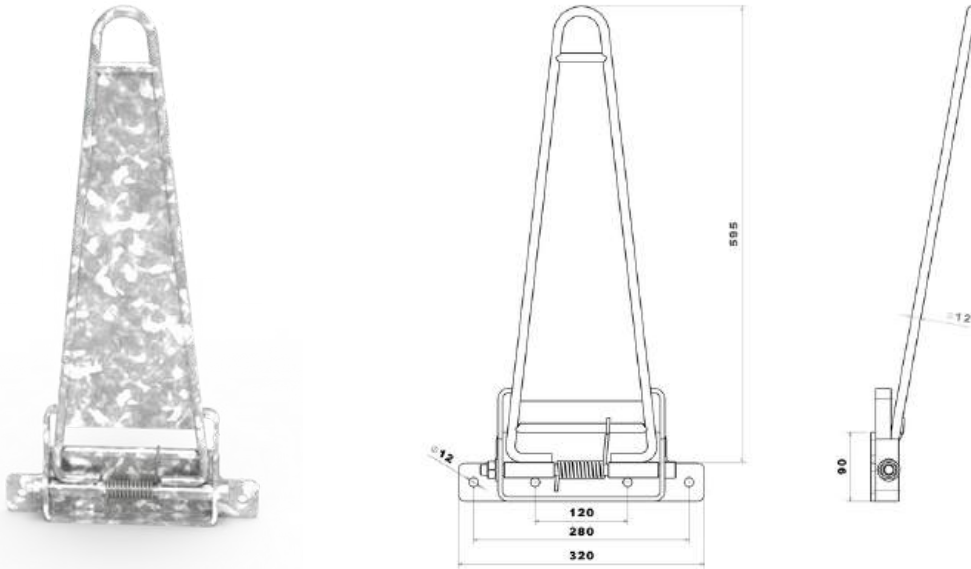
MODEL 22



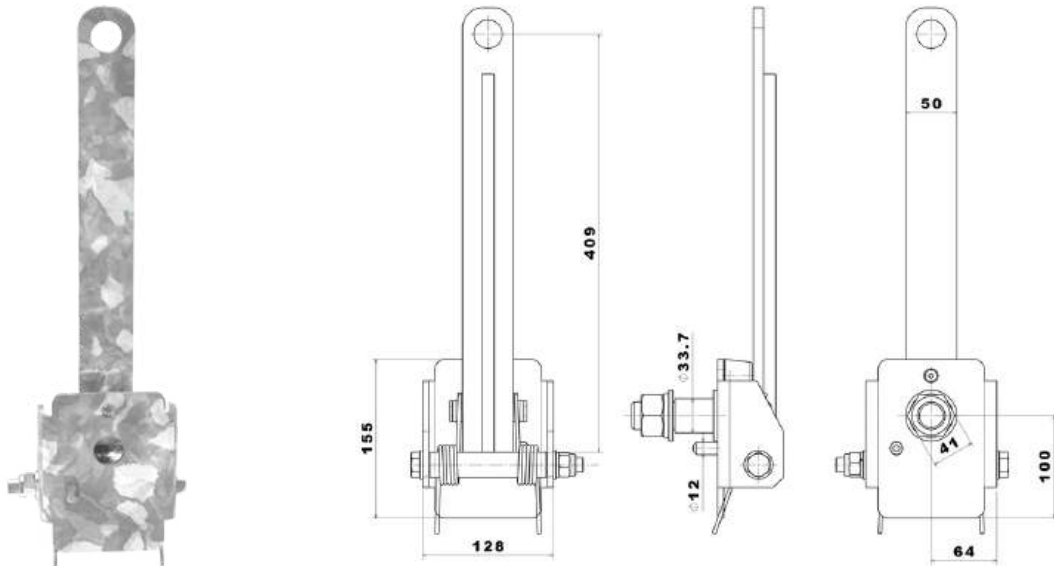
ART.	A	B	C	Capacity (kg)
WIRE 1804	1800	400	1550	300
WIRE 2006	2000	600	1600	300
WIRE 2206	2200	600	1650	300

HOOKS

FOR STORAGE CAGES



Model 1



Model 2

OTHER PRODUCTS

GALLERY



HOW IT WORKS?

ORDERING INFORMATION

How to Order

1. Send an Inquiry

Reach out to us via email or phone with your project idea, product interest, or technical drawings.

2. Consultation & Technical Review

Our team will assess your requirements, provide recommendations, and review specifications. For custom containers, we'll work closely with you to finalize dimensions, features, and interior layout.

3. Quotation & Lead Time

You'll receive a detailed offer including pricing, production time, and delivery schedule. All pricing is transparent and based on your requested configuration and quantity.

4. Production

Upon approval, production begins using high-quality materials and precision manufacturing. Progress updates can be provided throughout.

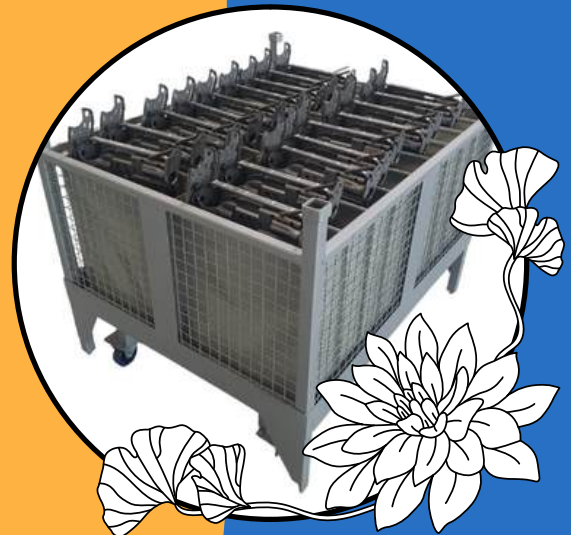
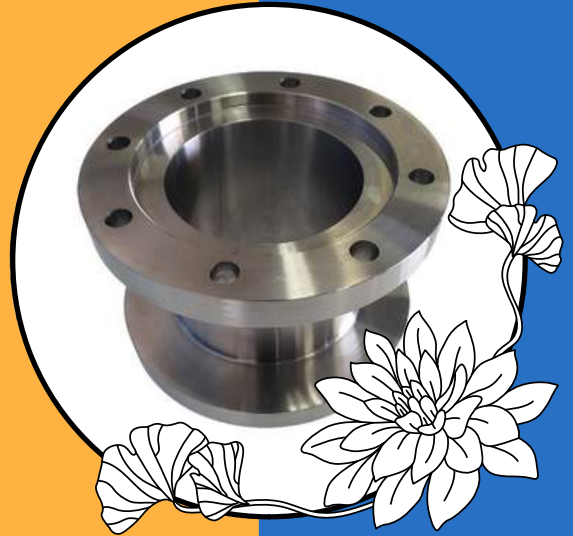
5. Delivery

We offer reliable packaging and shipment solutions for domestic and international clients.

Minimum Orders & Lead Time

- Minimum Order: Varies by product (standard models available in single units)
- Lead Time: Typically 2–5 weeks depending on customization and quantity
- Shipping: International delivery available on request

*From concept to completion —
we turn your ideas into
durable, functional solutions.
Let's build your next project
together.*





CONTACT

Whether you're looking for a reliable partner for CNC machining, custom metal fabrication, or complete project development — we're here to help. At PimTool, we value clear communication, fast response times, and building long-term relationships based on quality and trust.

Reach out to us with your project ideas, technical drawings, or general inquiries. Our team is ready to provide tailored solutions that meet your exact requirements.

Let's build something great together.

Phone

tel:+38163628901

Mail

pimtoolsconstruction@gmail.com

Site

www.pimtool.com

Address

Kragujevac, Serbia

P&M tools 
construction

PRODUCT CATALOG

YEAR 2025